

NCR-305-VHR

3MP Mid Range LPR Camera,
Smart LPR Modes, P-Iris, True WDR



Main Features

- 30fps@3MP, Full HD1080P @60fps
- Smart LPR Modes
- Capture Plate Distance 15M~20M
- Car Speed 100KM/h max.
- Advance P-Iris
- 100 dB True WDR

ONVIF



Product Overview

NEXCOM introduces new IR vandal bullet type IP camera, offering outstanding 3MP image quality no matter car is moving at high speed or it is rainy during day & night. NCR-305-VHR IP Camera is suitable for building surveillance solutions for parking, gate entrances, barriers, etc. It is able to overcome variation light condition and capture plates clearly within 15M~20M distances when cars are moving. Smart LPR Modes are available for clients to attain optimized result during the whole day.

Megapixel @ 60 fps

NexCam supports high-performance H.264/MJPEG compression technology and offers extra smooth video at up to 60 fps at 1080p, and 30fps @ 3MP. Furthermore, Video ROI [Region Of Interest] function reduce bandwidth and storage requirement, providing users with the best option in bandwidth flexibility and storage efficiency.

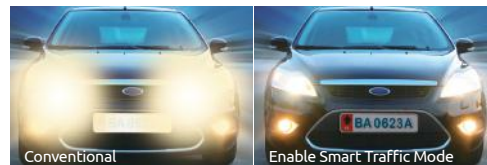
Smart LPR Modes

Smart LPR Modes are available with customized and optimized different parameter settings in order to meet most variations in light, weather and other environmental factors during a day. It is providing clients with more flexibility to attain optimized image results.

When car is moving at high speed



When headlight of car is opened



License Plate Recognition

The technology helps to identify the clear plate of the moving cars during day and night, which has a wide number of applications including traffic enforcement, access control, stolen car identification, vehicle tracking and parking. NEXCOM offers the ready-to-go system and clear image for License Plate Recognition software to get capture rate.

Zoom Focus

Zoom focus function allows users to remotely control focus and zoom to simplify installation and reduce labor cost. 9-22mm focal length is available with feed-back potentiometers for auto-positioning applications. Post-installation adjustment can be done quickly and painlessly, without the need to tear down and reinstall the camera.

Specifications

Camera General Information

Image Sensor	1/3" 3MP True WDR progressive scan CMOS sensor
Minimum Illumination	B/W 0 lux/Color 0.1 lux
Lens	Motorized (9-22mm, F1.5) lens
Field of View	Horizontal: 12.5°~29.4° Vertical: 9.7°~24.8° Diagonal: 16.1°~36.5°
Iris Type	P-Iris
Day and Night	YES (True D/N)
IR Distance	Effective up to 50M
Target Capture Plate	Reflective
Capture Plate Distance	15M~20M
Car Moving Speed	0~100KM/h
IR Wavelength	850nm
ICR	YES
WDR	YES (True WDR)
Image Enhance	Brightness, Contrast, Saturation, Sharpness, Mirror, Flip, Day/Night, Anti-flicker,AWB

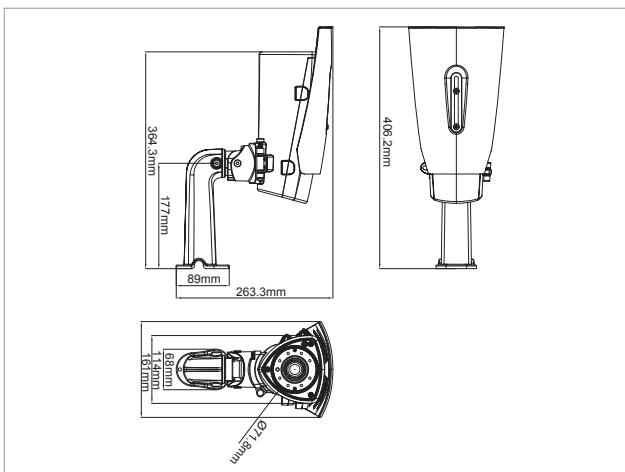
Video

Video Compression	H.264/M-JPEG
Video Streaming	Triple streaming
Video Resolution	2048x1536 to 320x240
Video Quality	VBR/CBR
Frame Rate	2048x1536 @30 fps 1920x1080 @60 fps 1280x720 @30 fps 720x576 @30 fps 720x480 @30 fps 640x480 @30 fps 320x240 @30 fps

Audio

Audio Streaming	Two-way
Audio Compression	G.711 8KHz/16 bits
Audio Input	Line-in
Audio Output	Line-out

Dimension Drawing



Network

Interface	10/100/1000 Mbps Ethernet, RJ-45
Supported Protocols	HTTP, TCP/IP, UDP, RTP, RTSP, FTP, SMTP, DHCP, DNS, DDNS, NTP, uPnP, ONVIF, IPv4/v6
Browser	Internet Explorer (support up to IE 10), Chrome, Firefox, Safari
Security	Multi-level passwords/HTTP encryption

I/O Connector

Audio in/ out Port	3.5 mm phone jack x2
D I/O	Dlx1, DOx1
RS485	N/A
Micro SD Card Slot	YES
RJ45	YES

Event Management

Event Trigger	Motion detection, DI
Notifications	Trigger alarm output, email/ FTP and record video to PC or SD card
Post Recording	YES
Pre Recording	YES

Power

DC/AC	DC12V/AC 24V terminal block
PoE	YES/IEEG 802.3at (PoE+)

General

Power Consumption	21W max.
Weight	2005g
Dimension	406.2mm (D) x 161mm (W) x 263.3mm (H)
Operating Temp.	-40°C ~ 60°C /-40°F~ 140°F
Humidity	90%RH (no condensation)
Certification	CE/FCC
Vandal Resistant	IK10
Weather Proof	IP66/IP67
Application	SDK available for application development

Packaging Information

NWT	2005g
GWT	2091g
Dimension	311mm (D) x 286mm (W) x 178mm (H)

Ordering Information

- ◆ NCr-305-VHR (P/N: TBD)